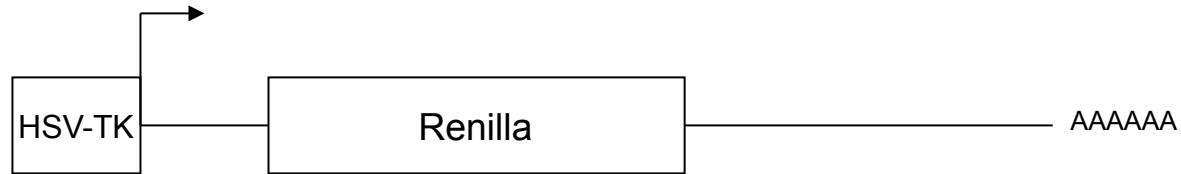
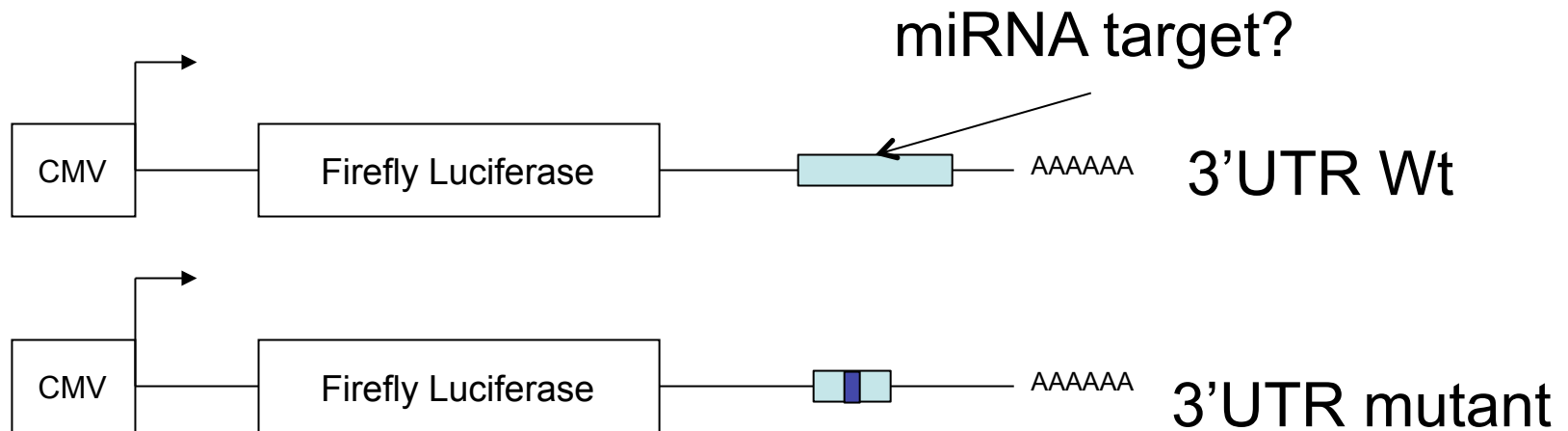


DUAL reporter assay for miRNA analysis



HSV-TK: herpes simplex virus thymidine kinase promoter

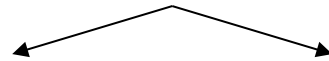
-> low to moderate levels of Renilla luciferase expression in co-transfected mammalian cells



Cells that express the miRNA



Transfect with Renilla luciferase +

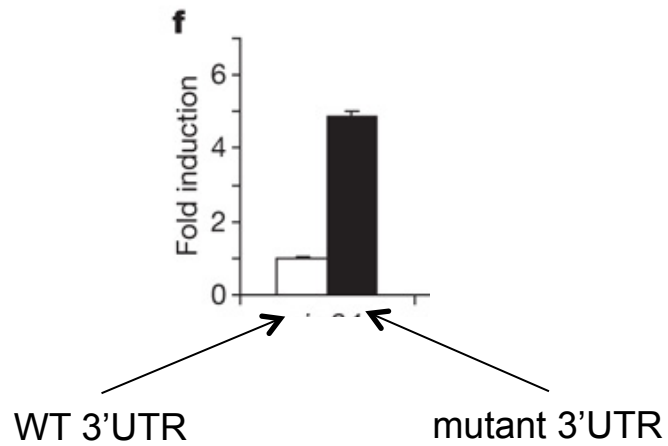


Firefly luciferase
WT 3'UTR

Firefly luciferase
mutant 3'UTR



Measure Renilla and Firefly signals
and make the ratio



COMPLEMENTARY STRATEGIES

selectively block the miRNA with
LNA antisense oligo
or
overexpress the miRNA
in cells that do not express it endogenously